

Panther

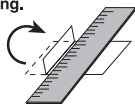
CAUTION

- Read the instruction manual carefully before assembly.
- Tools recommendation.

Tweezer
Use for small parts assembly.



Ruler
Use for small parts folding.



Small Pole or Penholder
Use for parts rolling.



• See below for symbols meaning.

1. Fold



2. Insert



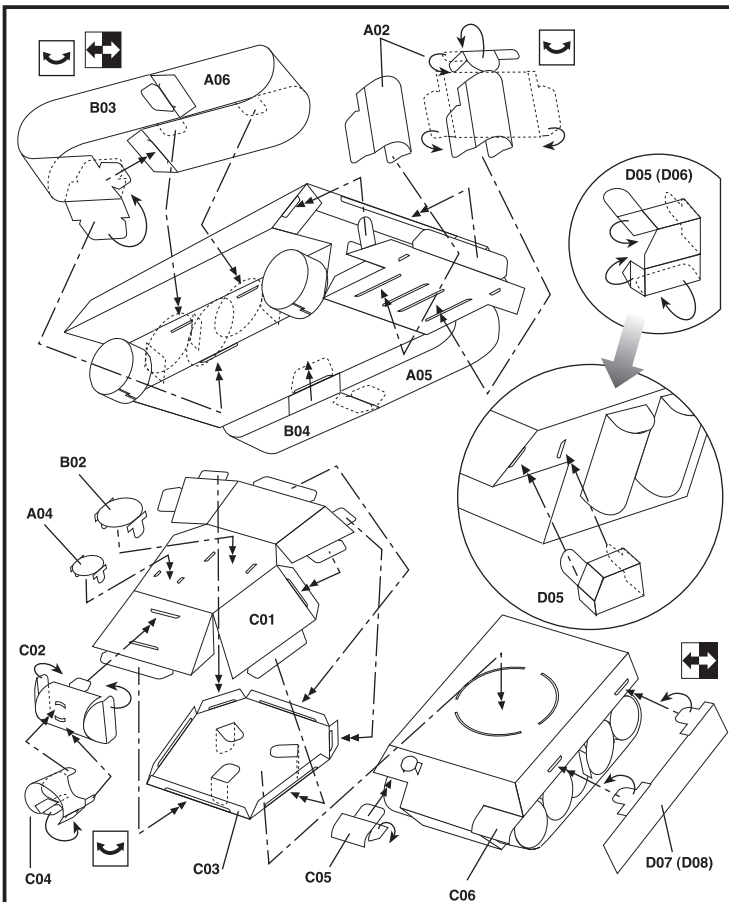
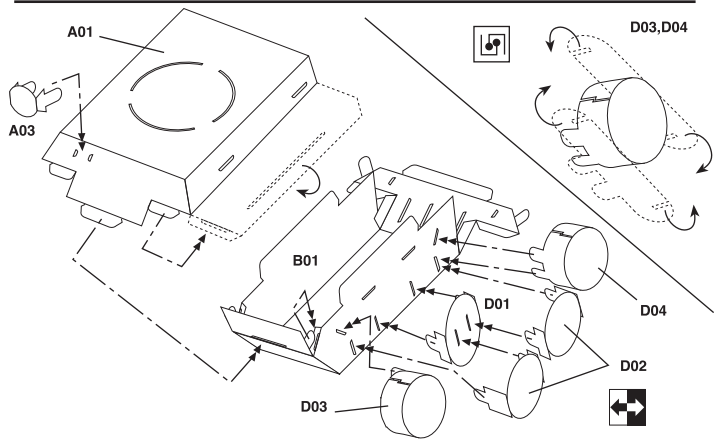
3. Interlock



4. Roll up



5. Same process for opposite side



Paper-Pro
Modelling

(Wholly owned and operated by ADVANCE STUDIO)

www.paper-pro.com